

Free Spirit

## Patchwork Carryall

Featuring Hindsight by Anna Maria

Color strip piecing highlights this roomy shoulder tote—perfect for a day of shopping at the mall or your favorite artisan market.

<b>Collection:</b>	Hindsight by Anna Maria
<b>Technique:</b>	Piecing
<b>Skill Level:</b>	Beginner
<b>Finished Size:</b>	15" x 17½" x 5" (38.10cm x 44.45cm x 12.70cm) (excluding handle)

*All possible care has been taken to assure the accuracy of this pattern. We are not responsible for printing errors or the manner in which individual work varies. Please read the instructions carefully before starting this project. If kitting it is recommended a sample is made to confirm accuracy.*

Tech edited by Linda Turner Griepentrog

## Fabric Requirements

- Quilter's Lace from Wheelhouse Medallion Quilt\*
- ½ yard (45.72cm) lining fabric

## Additional Recommendations

- 100% cotton thread in a color to blend
- ½ yard (45.72cm) medium-weight fusible interfacing
- ⅝ yard (57.15cm) fusible fleece
- (2) 1¼" (3.18cm) D-rings
- (3) ⅞" (2.22cm) buttons
- Rotary cutter/mat/ruler
- Basic sewing and pressing supplies

\*Quilter's Lace is the leftover fabric once you've fussy-cut the Wheelhouse Medallion Quilt blocks. If you don't have those fabrics, substitute other scraps in the amounts needed to cut the required pieces.

## Cutting

### From Quilter's Lace, cut:

- (32) 3" x 10½" (7.62cm x 26.67cm), for bag exterior
- (1) 6½" x 6½" (16.51cm x 16.51cm), for pocket lining
- (1) 6½" x 1½" (16.51cm x 3.81cm), for pocket trim
- (1) 6½" x 5½" (16.51cm x 13.97cm), for lower pocket
- (1) 3" x 10½" (7.62cm x 26.67cm), for closure
- (1) 3" x 28" (7.62cm x 71.12cm), for strap
- (2) 3" x 5" (7.62cm x 12.70cm), for tabs

### From Lining, cut:

- (2) 21" x 21" (53.34cm x 53.34cm)

### From Interfacing, cut:

- (1) 3" x 28" (7.62cm x 71.12cm), piece as needed
- (1) 3" x 10½" (7.62cm x 26.67cm)
- (2) 3" x 5" (7.62cm x 12.70cm)

### From Fusible Fleece, cut:

- (1) 20½" x 40½" (50.07cm x 102.87cm)

## Preparation

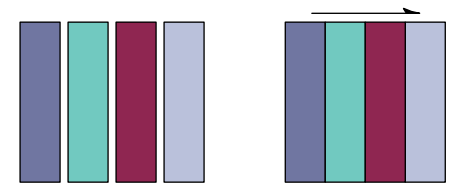
Following the manufacturer's instructions, fuse the interfacing to the wrong side of the corresponding fabric pieces.

## Instructions

Seam allowances are ¼" (.64cm) and pieces are sewn right sides together. Press all seams open unless otherwise indicated.

1. Sew four assorted 3" x 10½" (7.62cm x 26.67cm) fabric strips together lengthwise to make one 10½" (26.67cm) square block (**Figure 1**). Press seams in one direction. Repeat to make a total of four blocks for the carryall front and four for the back.

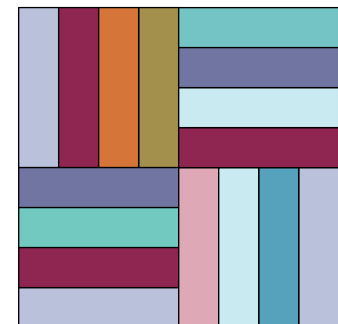
Fig. 1



Make 8.

2. Noting the orientation, sew four blocks together to make one 20½" (50.07cm) square panel for the front of the bag and another for back (**Figure 2**).

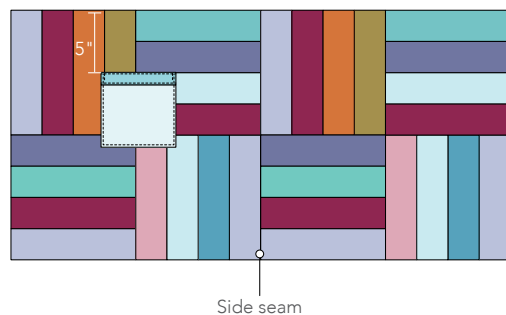
Fig. 2





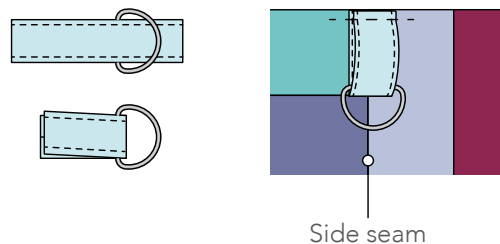
- Sew the front panel and back panels together along one side (**Figure 3**). Open and place face down.
- Center the fusible fleece, adhesive side down, on the wrong side of the pieced panels. Following the manufacturer's instructions, fuse the fleece in place.
- Quilt as desired.
- Sew the pocket and pocket trim pieces together along the 6½" (16.51cm) edges. Press the seam toward the trim and topstitch the seam. Sew the 6½" (16.51cm) pocket lining square right sides together with the pieced outer pocket square. Stitch around the perimeter, leaving a 3" (7.62 cm) opening on one side for turning. Clip corners. Turn right side out and press. Slipstitch the opening closed. Topstitch along the top edge.
- Measure 5" (12.70cm) down from top along the bag center front seam and position the pocket top, centering it across the seam (**Figure 3**). Edgestitch the pocket in place along the sides and bottom, reinforcing the upper corners.

Fig. 3



- Right sides together, fold each tab lengthwise in half and sew along the 5" (12.70cm) edge. Turn right side out and press with the seam centered. Edgestitch both long edges.
- Repeat step 8 for the strap, sewing along the 28" (71.12 cm) edge. Press.
- Fold closure piece right sides together so that short ends meet. The piece now measures 3" x 5¼" (7.62cm x 13.34cm). Sew both sides. Clip corners. Turn right side out and press. Edgestitch around all the finished edges. Make a centered buttonhole ¾" (1.91cm) from the finished end to fit your button.
- Fold the outer bag rectangle right sides together and sew the bottom and remaining side seam.
- Thread each tab through a D-ring and fold the tab in half. With right sides together and raw edges even, pin a tab centered over each upper bag side seam (**Figure 4**). Baste in place.

Fig. 4



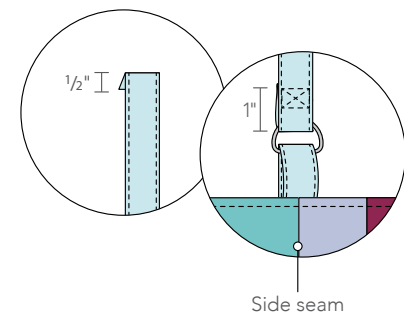
- Slide the D-ring to the tab fold. Pin through the tab to secure. Stitch across tab approximately ½" (1.27cm) from the D-ring. Repeat on the other side.

- On the right side of bag back, center the raw edge of the closure over the center back seam. Baste in place.
- Sew the lining squares right sides together along both sides and across the bottom, leaving a 5" (12.70cm) in the bottom for turning. Clip corners. Press.

## Finishing

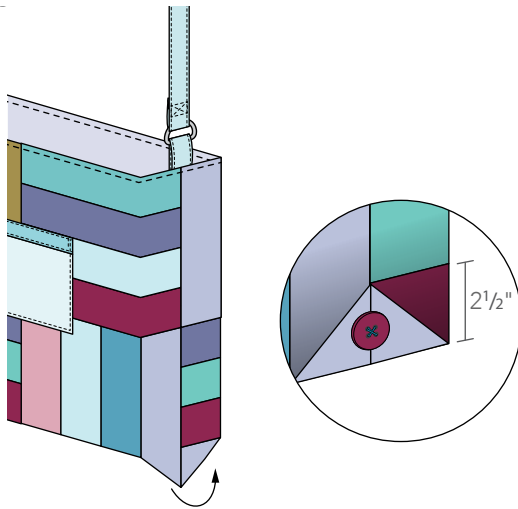
- With right sides together, slide the outer bag into the lining, matching the upper edges. Sew around top edge. Note that the tabs and closure will be between the layers. Turn the bag right side out, push the lining into the bag and press. Slipstitch the lining opening closed.
- Edgestitch around the top edge of the bag and again ¼" (.64 cm) from the first stitching.
- Press the raw strap ends under ½" (1.27cm) toward the side with the seam. Thread the strap end through the D-ring. With the folded end approximately 1" (2.54cm) from D-ring, pin in place. Sew across the strap to secure, using box stitching as shown in **Figure 5**. Repeat for the remaining strap end.

Fig. 5



19. With the lining snugly inside the bag and the side seam centered, fold up one corner  $2\frac{1}{2}$ " (6.35cm) toward top of bag. Secure in place with pins or clips. Sew one button over the point. Stitch through all layers to securely hold the point in place (**Figure 6**). Repeat for other side.

Fig. 6



20. Sew the remaining button to the bag front center under the closure buttonhole,  $2'' - 2\frac{1}{2}''$  (5.08cm-6.35 cm) from upper edge.

